

California Commercial Mechanical Inspector

Practice test

April 6, 2026

Time limit: 120 minutes

Official exam page

californiacerts.com/exams/ca-mechanical-inspector-i4

Online timed practice

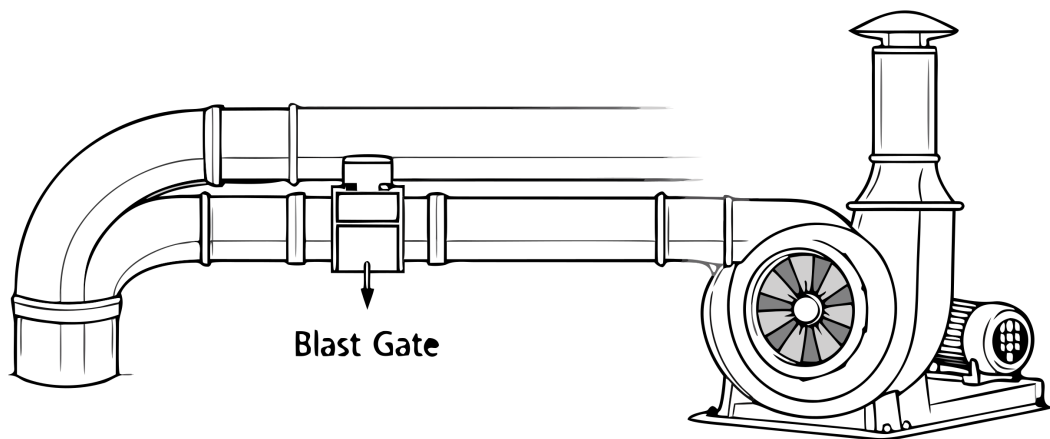
californiacerts.com/exams/ca-mechanical-inspector-i4/practice

If the link does not open, copy and paste the full URL into your browser.

Answer key for this session (PDF):

californiacerts.com/resources/pdfs/ca-mechanical-inspector-i4/ca-mechanical-inspector-i4-practice-solution.pdf

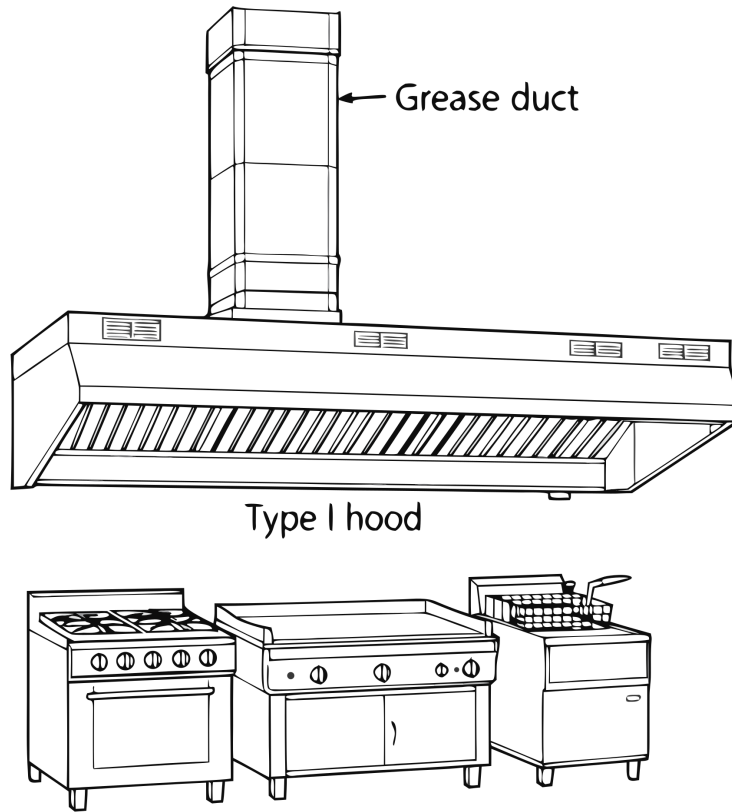
1. Product-conveying exhaust systems shall:



PRODUCT CONVEYING EXHAUST

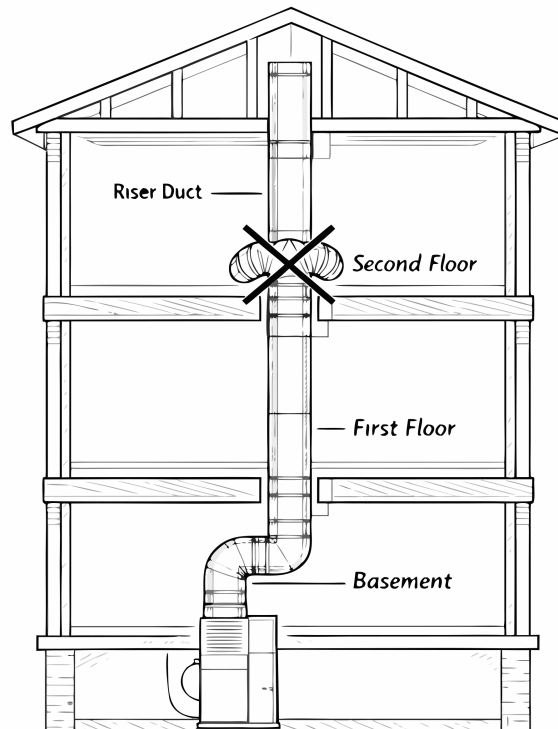
- A. Be constructed and listed for the material conveyed
- B. Use dryer transition duct
- C. Omit cleanouts
- D. Terminate in corridors

2. Commercial kitchen grease exhaust systems shall comply with:



- A. CMC and referenced standards such as NFPA 96
- B. IMC only, CMC silent
- C. Local restaurant menu only
- D. UL 300 for all ducts without listing

3. Ducts listed and labeled to UL 181 shall not be used for vertical risers in systems serving:



- A. More than two stories
- B. Only residential occupancies
- C. One story only
- D. Any height if insulated

4. Refrigerant piping and components shall be:

- A. Copper only in all occupancies
- B. Supported only by insulation
- C. Installed per code and protected from physical damage
- D. Run through fire-resistance-rated walls without protection

5. Fuel gas pipe sizing shall be determined using:

- A. Contractor experience only, without calculation
- B. Nominal pipe size matching appliance connection only
- C. A single standard table without adjustment for length or elevation
- D. Approved pipe sizing tables or engineering analysis for the installation conditions

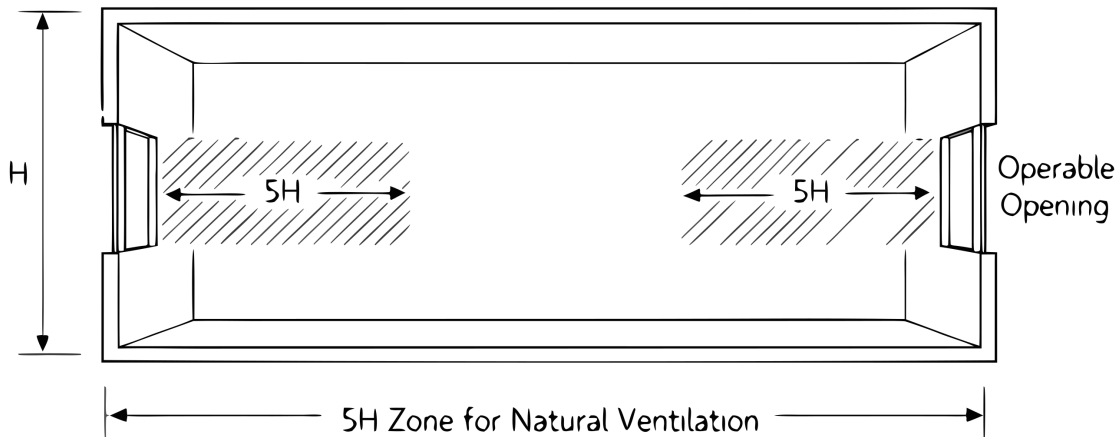
6. A breeching is defined as:

- A. A draft hood only
- B. Plastic vent for Category IV appliances
- C. A condensate drain line
- D. A metal connector for medium- and high-heat appliances

7. Masonry chimneys shall be lined with:

- A. PVC
- B. Approved clay flue lining or listed lining system
- C. Single-wall metal only
- D. Bare masonry only

8. For natural ventilation with operable openings on two opposite sides, the maximum distance from openings is:



- A. $8H$
- B. $2H$
- C. $5H$
- D. $3H$

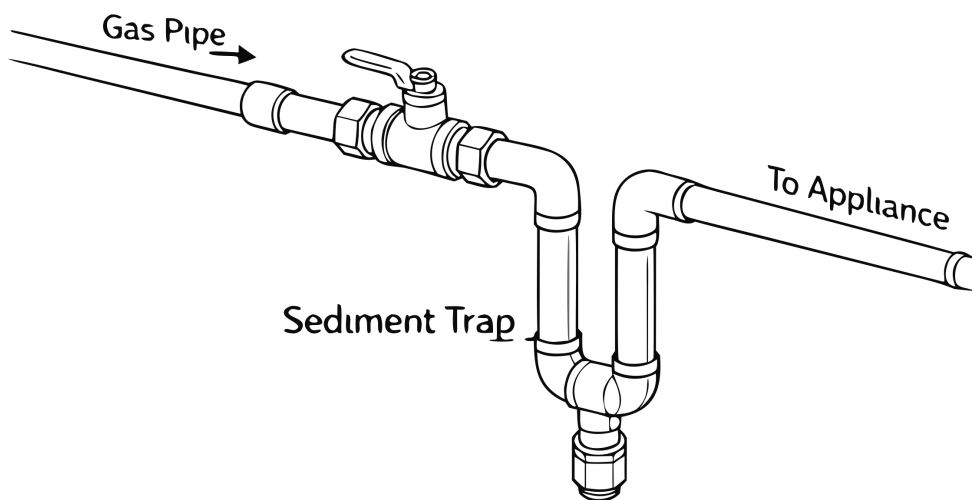
9. Mechanical combustion air supply shall deliver at least:

- A. 1.0 cfm per 1000 Btu/h
- B. 0.50 cfm per 1000 Btu/h
- C. 0.35 cfm per 1000 Btu/h
- D. 0.20 cfm per 1000 Btu/h

Exam page: californiacerts.com/exams/ca-mechanical-inspector-i4

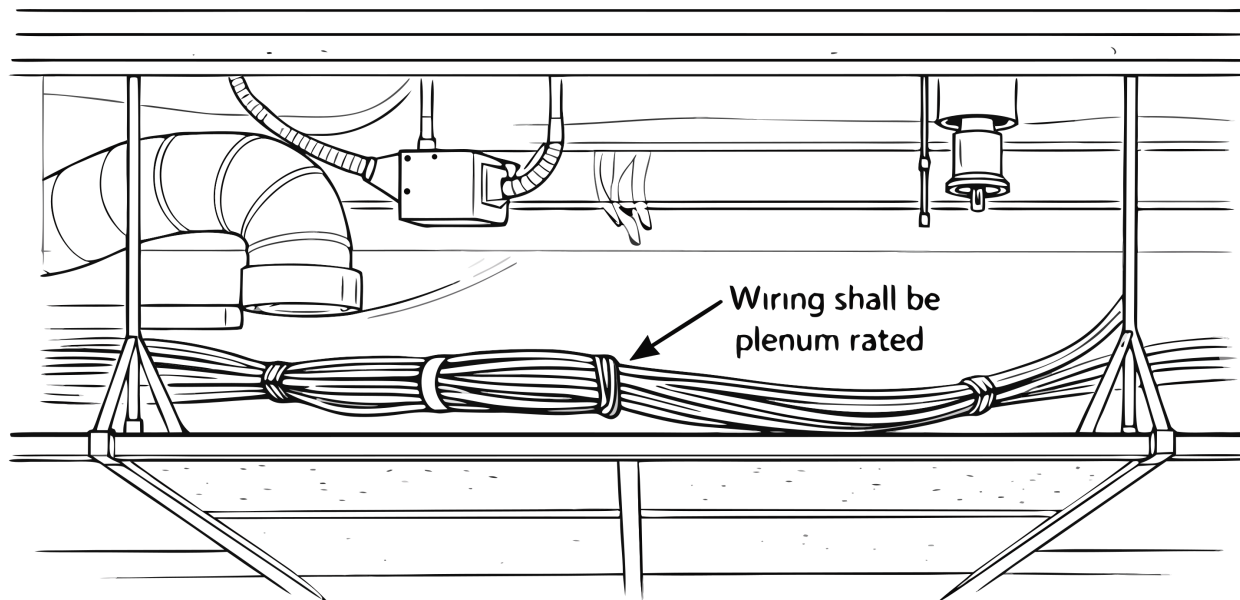
Online practice: californiacerts.com/exams/ca-mechanical-inspector-i...

10. A sediment trap is required ahead of:



- A. The inlet of equipment where required by the fuel gas code
- B. Only meters
- C. Never in commercial buildings
- D. Every manual shutoff valve

11. Electrical wiring in plenums shall comply with:



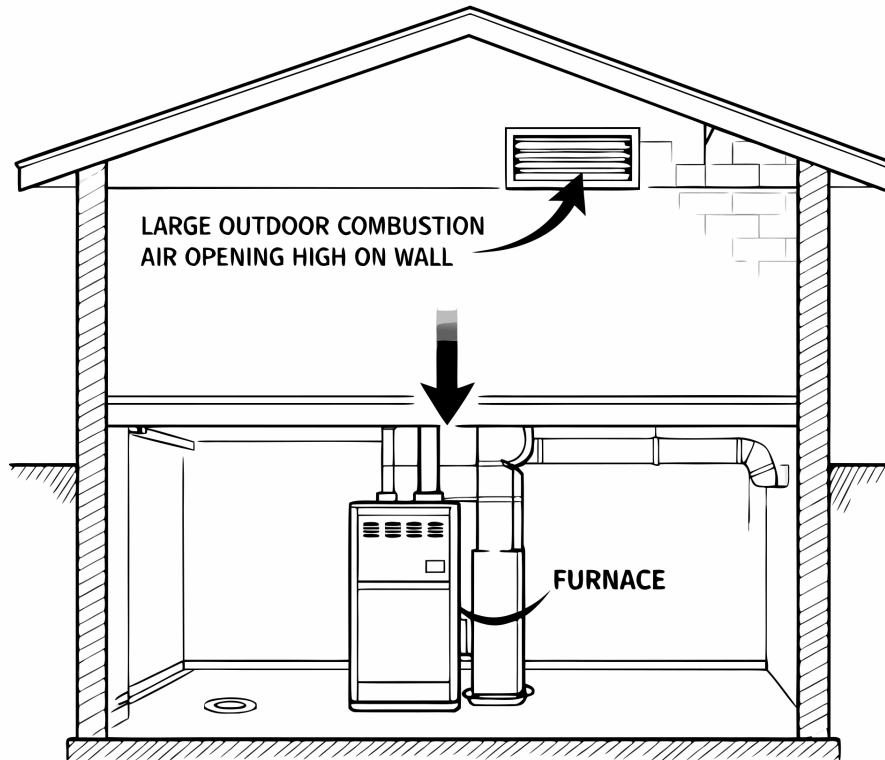
- A. NM cable without restriction
- B. Extension cords where hidden
- C. Romex in all plenums
- D. The California Electrical Code for plenum wiring

12. Venting systems shall not extend through:

- A. Exterior wall sleeves
- B. Chimney liners
- C. Fabricated air ducts or furnace plenums
- D. Roof flashing only

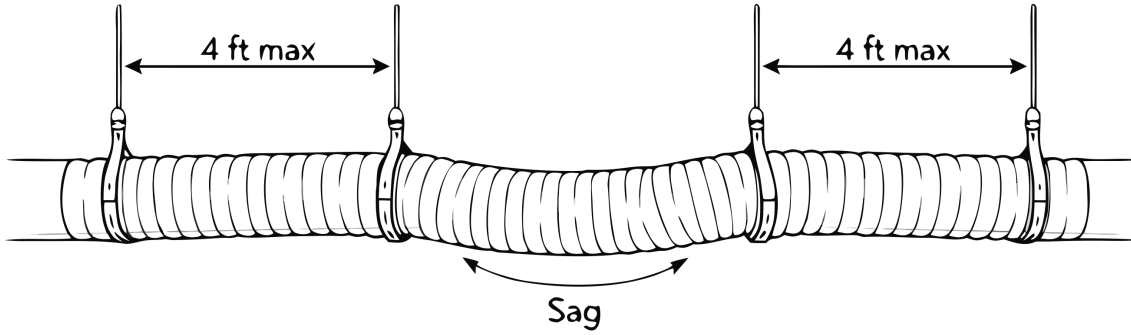
13. The one-permanent-opening outdoor method requires minimum free area of:

ONE OPENING METHOD



- A. 1 sq in per 4000 Btu/h
- B. 1 sq in per 2000 Btu/h
- C. 1 sq in per 3000 Btu/h
- D. 1 sq in per 1000 Btu/h

14. Horizontal flexible air ducts shall be supported at intervals not exceeding:

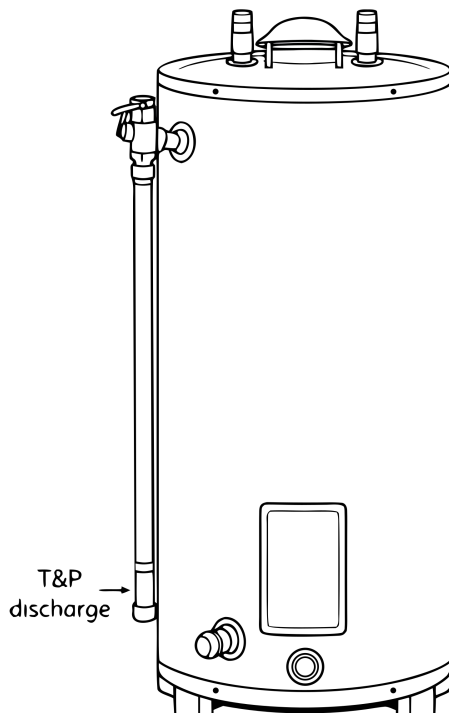


- A. 6 feet
- B. 2 feet
- C. 4 feet
- D. 8 feet

15. Who is responsible for enforcing the California Mechanical Code in a jurisdiction?

- A. The general contractor only
- B. The Authority Having Jurisdiction
- C. The equipment manufacturer
- D. The property owner

16. Water heaters shall be installed in accordance with:






- A. Local utility pamphlet only
- B. This code and the manufacturer's instructions
- C. Contractor preference only
- D. NFPA 13 only

17. Combustion air ducts shall be constructed of:

- A. PVC schedule 40
- B. Unlined flexible dryer duct
- C. Wood boards
- D. Galvanized steel or equivalent approved materials

18. Construction documents submitted for a mechanical permit shall be prepared by:

<div style="display: flex; justify-content: space-around; align-items: center;"> <div style="text-align: center;">  <p>REVISIONS</p> </div> <div style="text-align: center;">  </div> </div> <div style="text-align: center; margin-top: 10px;"> <p>SCALE: 1/8" = 1'-0"</p>  </div>		
DRAWN BY _____		DATE _____
CHECKED BY _____	MECHANICAL	JOB NO _____
SHEET NO _____		

- A. A registered design professional
- B. The equipment supplier only
- C. The building owner
- D. Any licensed contractor

19. Explosive or combustible dust collectors require:

- A. PVC duct only
- B. Compliance with applicable code provisions for combustible dust
- C. Shared kitchen hood
- D. No special provisions

20. Rough-in inspection for mechanical systems shall be made:

- A. Only at final inspection
- B. After finishes are complete
- C. Prior to wall or ceiling membranes
- D. Before permit issuance

21. An appliance shall be connected to:

- A. A higher pressure without regulator
- B. Any available gas without review
- C. The fuel gas for which it was designed
- D. Mixed gases without listing

22. Which appliance is generally NOT required to be vented?

- A. Water heater
- B. Listed range
- C. Residential gas furnace
- D. Unit heater

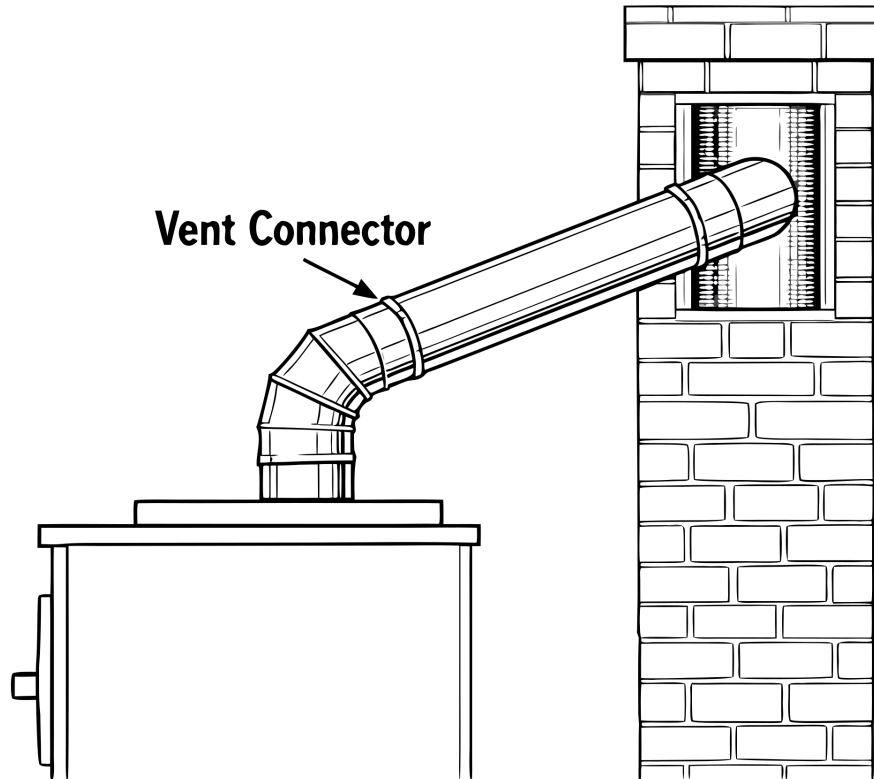
23. Under the CMC definition of "Readily Accessible," which situation qualifies?

- A. Accessible only with a ladder over 6 ft
- B. Direct access without removing a panel or door
- C. Behind a screwed access panel that must be removed
- D. Behind a locked utility room door only

24. Materials exposed in ducts or plenums shall be:

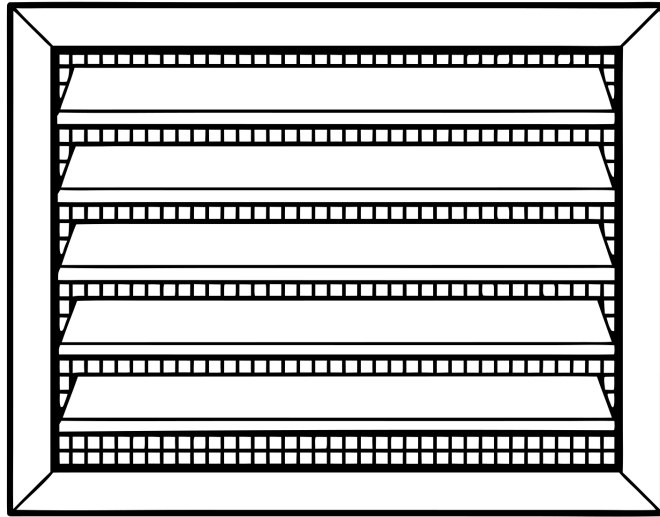
- A. Plastic without testing
- B. Carpet scraps allowed if covered
- C. Noncombustible or meet specified flame/smoke indices
- D. Any paint-grade wood

25. Vent connectors shall be installed:



- A. Horizontal only unlimited length
- B. Using flexible plastic only
- C. With reduced size without table
- D. Per Chapter 8, listing, and manufacturer's instructions

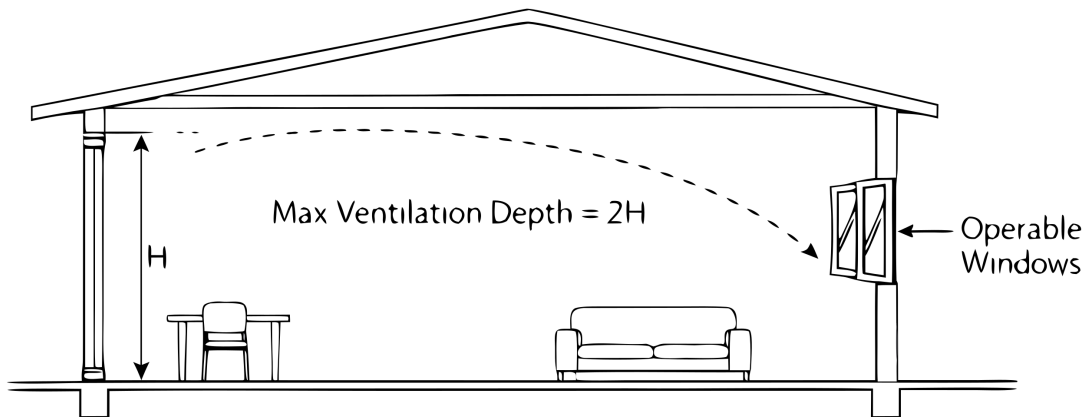
26. Outdoor air intake screens shall have openings not less than:



1/4 in min mesh,
1/2 in max openings

- A. 1/8 inch
- B. 1/4 inch minimum opening size
- C. No screening required
- D. 1 inch

27. For natural ventilation with operable openings on one side, the maximum distance from openings is:



- A. 2H
- B. H
- C. 5H
- D. 10H

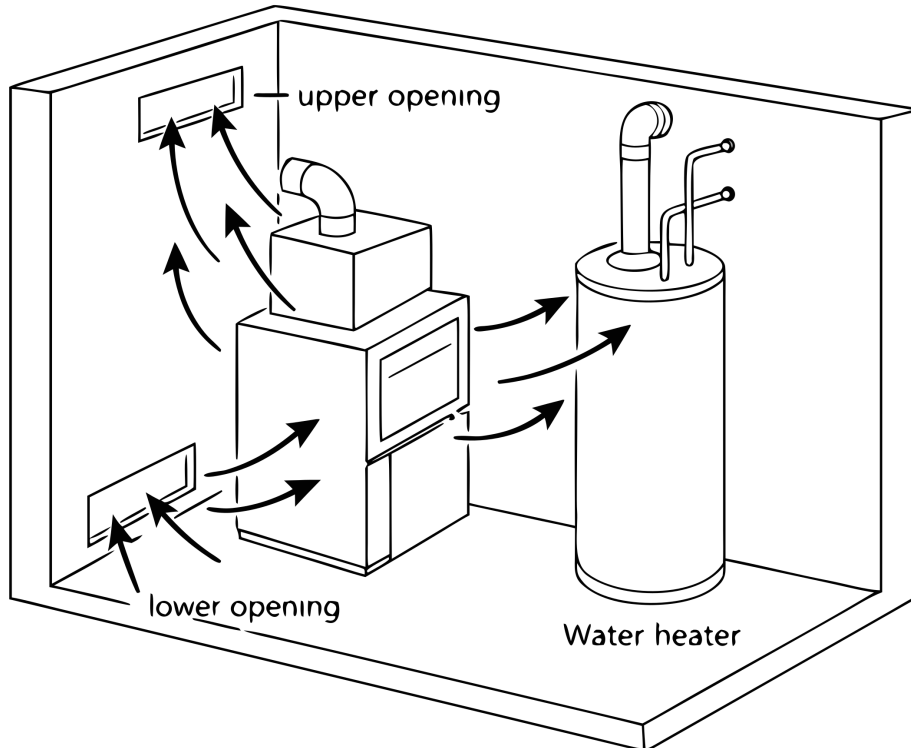
28. How many sets of construction documents are required with each permit application when plans are required?

- A. Three sets only
- B. Two or more sets
- C. One set
- D. Electronic only; no paper sets

29. The standard method minimum indoor volume for combustion air is:

- A. 25 cubic feet per 1000 Btu/h
- B. 100 cubic feet per 1000 Btu/h
- C. 50 cubic feet per 1000 Btu/h
- D. 75 cubic feet per 1000 Btu/h

30. Indoor combustion air openings between combined spaces shall each have minimum free area of:

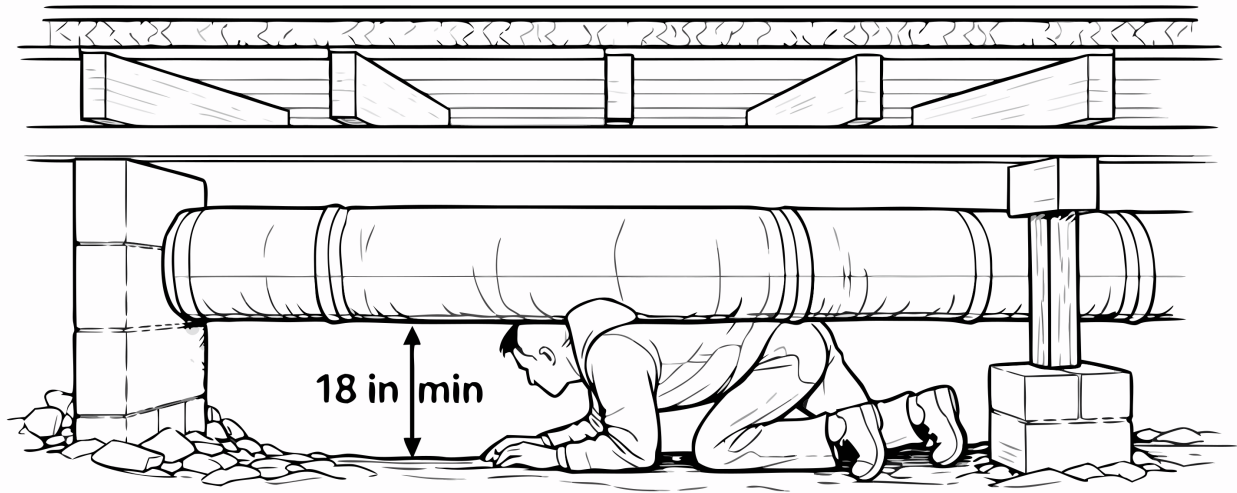


- A. 1 sq in per 1000 Btu/h (minimum 100 sq in each)
- B. 2 sq in per 1000 Btu/h
- C. 50 sq in fixed regardless of input
- D. 1 sq in per 4000 Btu/h

31. Where louver free area is unknown, metal louvers are assumed to have:

- A. 75 percent free area
- B. 100 percent free area
- C. 25 percent free area
- D. 50 percent free area

32. Where access under ducts in a crawl space is required, vertical clearance shall be not less than:

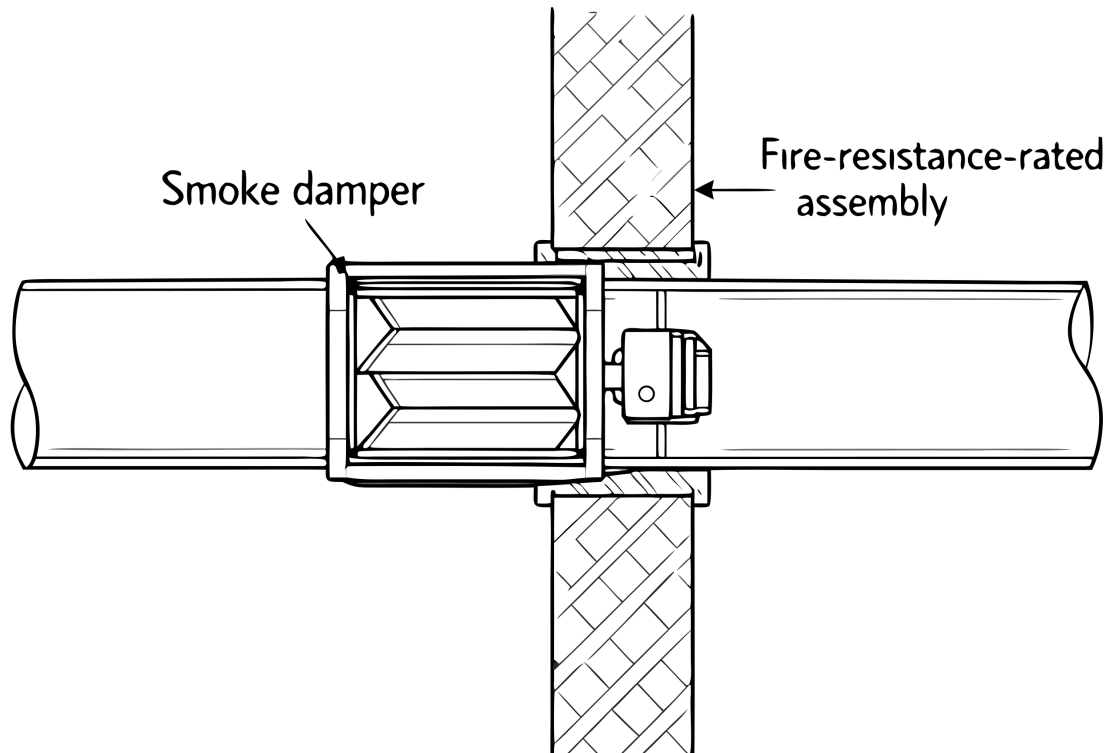


- A. 24 inches
- B. 12 inches
- C. 18 inches
- D. 30 inches

33. Makeup air for hood exhaust systems shall:

- A. Be provided as required by code for the hood system
- B. Come only from adjacent dining rooms unfiltered
- C. Equal 50% of exhaust only
- D. Be omitted if MUA fans are noisy

34. Smoke dampers in air transfer openings shall be:

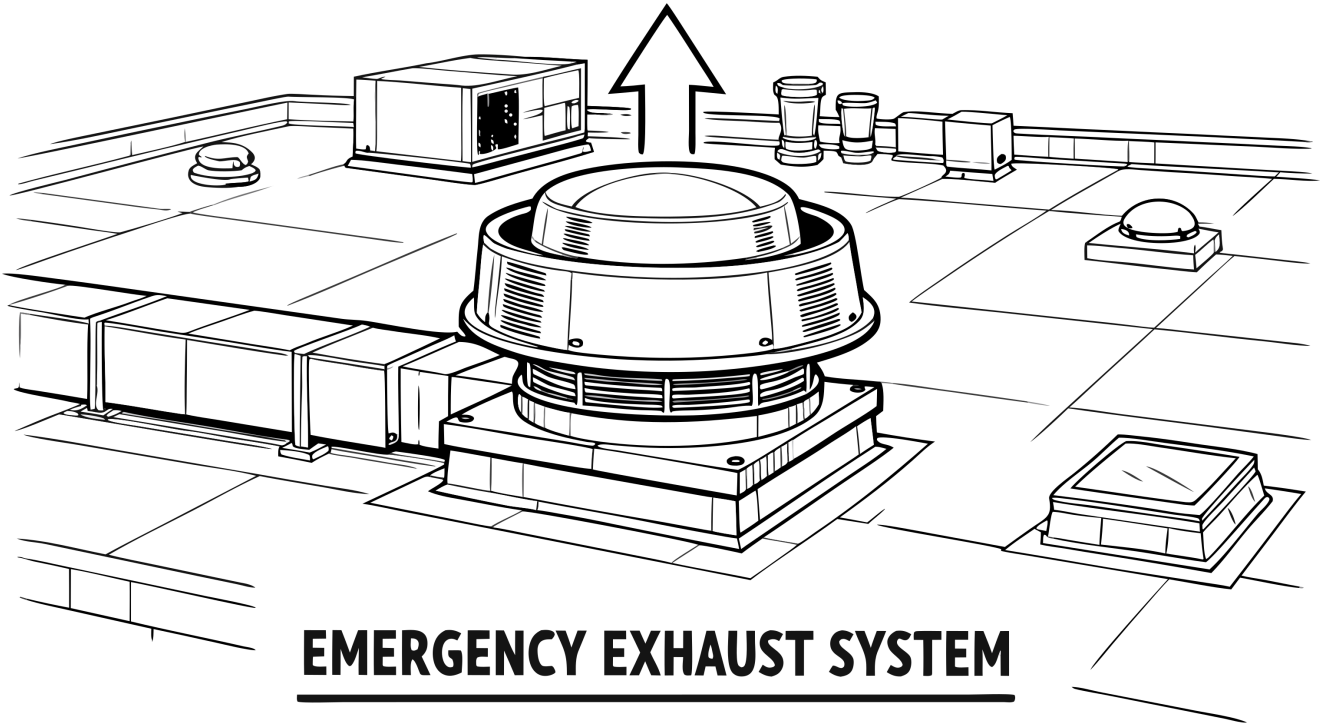


- A. Field-fabricated from sheet metal
- B. Listed and installed per the code and building requirements
- C. Manual only, no actuator
- D. Omitted in sprinklered buildings

35. Once construction documents are approved, they:

- A. May be field-revised by the installer
- B. Expire after 90 days automatically
- C. Shall not be changed without AHJ authorization
- D. Need only verbal approval for minor changes

36. Emergency exhaust systems for hazardous vapors shall:

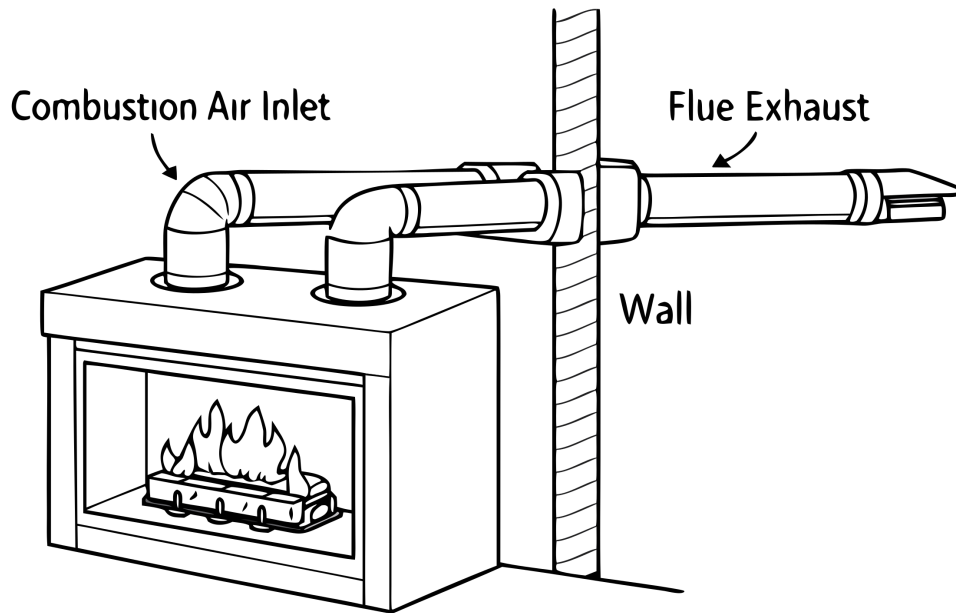


- A. Exhaust contaminants per code and not recirculate hazardously
- B. Share a return plenum with offices
- C. Recirculate through MERV 8 filters
- D. Terminate in attic

37. Type I hoods are required where:

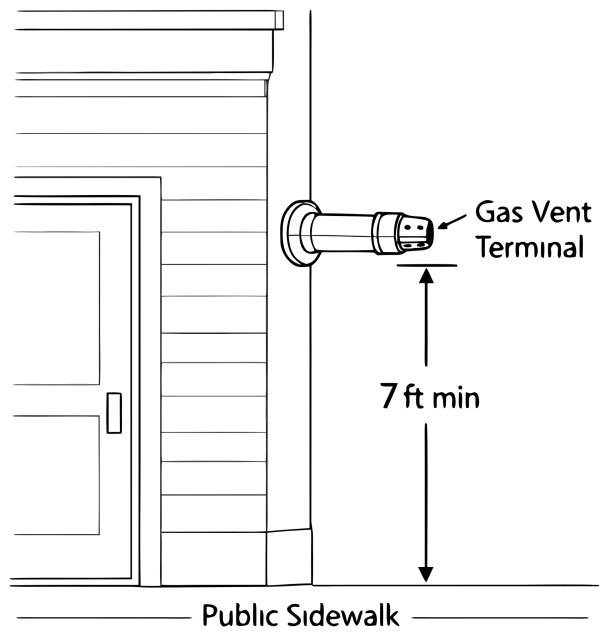
- A. Dishwashing only
- B. Residential ranges only
- C. Only non-cooking warming occurs
- D. Appliances produce grease-laden vapors

38. A direct vent appliance obtains all combustion air from:



- A. Underfloor crawl space without ducts
- B. The outdoors, supplied directly to the appliance
- C. Return air plenum only
- D. Adjacent indoor corridors only

39. Mechanical draft system exit terminals adjacent to public walkways shall be not less than above grade:



- A. 12 feet
- B. 7 feet
- C. 4 feet
- D. 10 feet

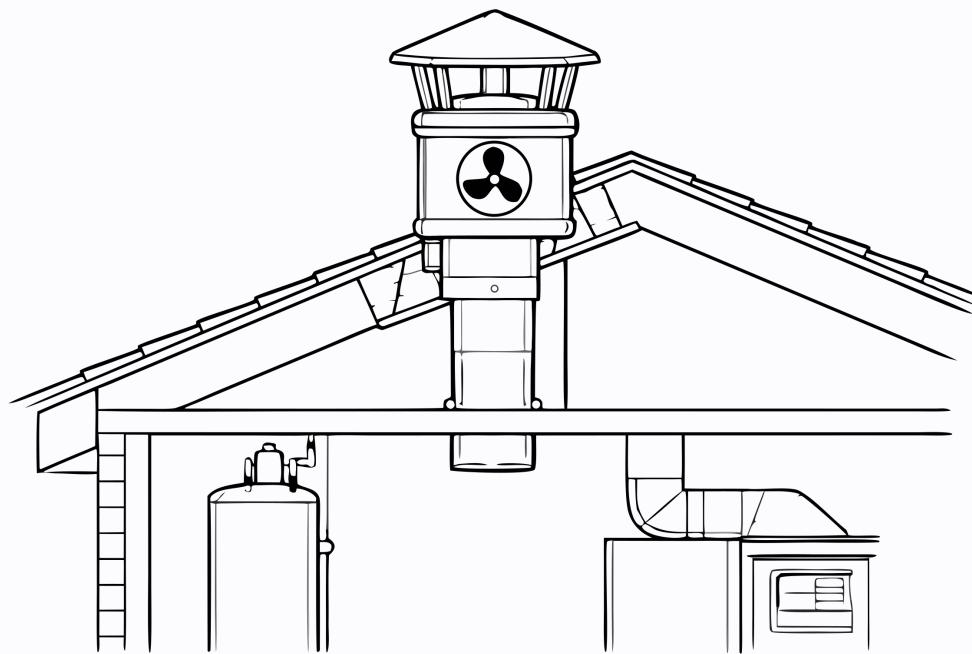
40. A separate mechanical permit is required for each separate building or structure before regulated work begins, except where:

- A. Work falls under Section 104.2 exempt work
- B. A homeowner performs the work
- C. Only portable equipment is used permanently
- D. The job is under \$500 in value

41. Appliance vents shall not discharge through screens with mesh smaller than:

- A. 1 inch mesh
- B. 1/4 inch mesh
- C. 1/8 inch mesh
- D. 1/2 inch mesh

42. Mechanical draft systems shall be:



MECHANICAL DRAFT EXIT

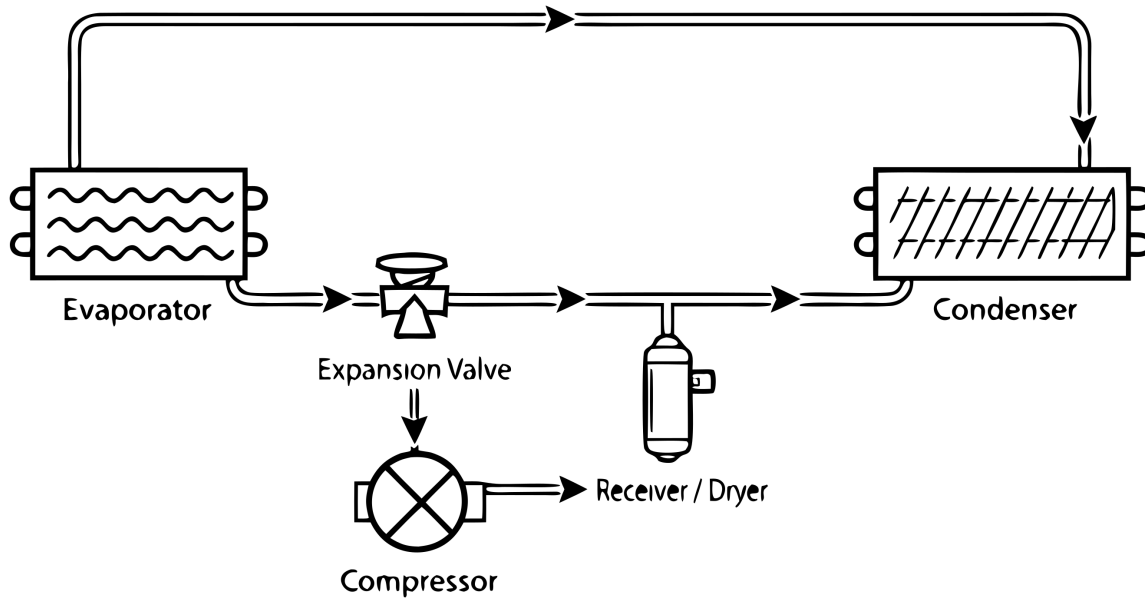
- A. Shared with grease ducts
- B. Installed without listing
- C. Field-built only
- D. Listed to UL 378 and installed per instructions

43. Gas appliance connections shall comply with:

- A. Hose clamps on CSST without fittings
- B. Soldered copper only
- C. The code and applicable connector/listing requirements
- D. Compression fittings only underground

44. Refrigeration systems shall comply with:

Refrigerant Circuit



- A. EPA Section 608 only
- B. The California Mechanical Code and referenced standards
- C. ASHRAE 90.1 only
- D. Manufacturer warranty terms only

45. Domestic clothes dryers shall be exhausted to the:

- A. Crawl space
- B. Attic space
- C. Return air plenum
- D. Outdoors

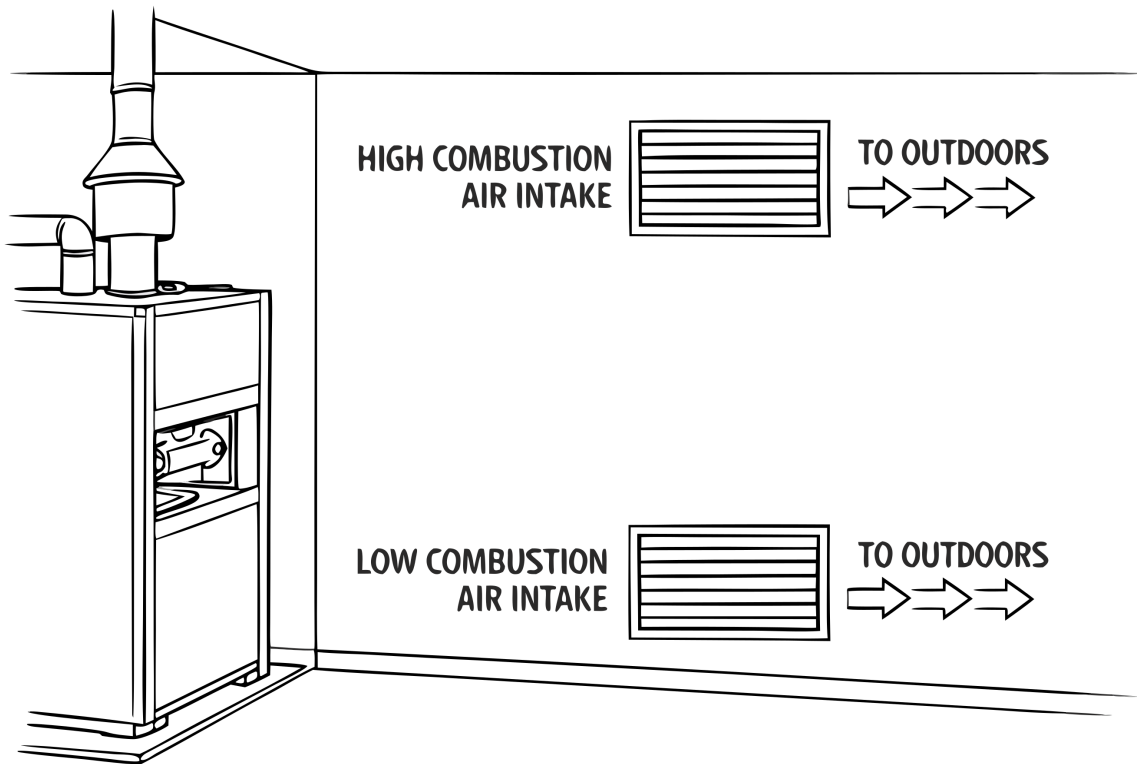
46. Makeup air for commercial kitchen grease exhaust hoods shall be provided so that:

- A. Is omitted where the kitchen is sprinklered
- B. May be 100 percent transfer air from adjacent dining rooms without treatment
- C. Replaces exhausted air as required by the code and referenced standards
- D. Is required only for Type II hoods

47. The appliance fuel input rate shall not be:

- A. Changed in violation of the approved rating
- B. Verified at start-up
- C. Adjusted per manufacturer instructions within rating
- D. Recorded on label

48. Two outdoor openings communicating through vertical ducts require each opening to have free area of:



- A. 1 sq in per 4000 Btu/h
- B. 1 sq in per 2000 Btu/h
- C. 1 sq in per 3000 Btu/h
- D. 1 sq in per 1000 Btu/h

49. Gas piping may serve both heating and cooling appliances where:

- A. They cannot be operated simultaneously
- B. Piping is copper only
- C. They operate simultaneously at full input
- D. Only in dwellings

50. Evaporative cooling equipment shall be installed:

- A. In accordance with the code and manufacturer's instructions
- B. With no outdoor air connection
- C. Only on roofs
- D. Without permits if under 5 tons